

MODEL 58B FOR FEEDING UP TO 80 TONS (72 MT) PER HOUR

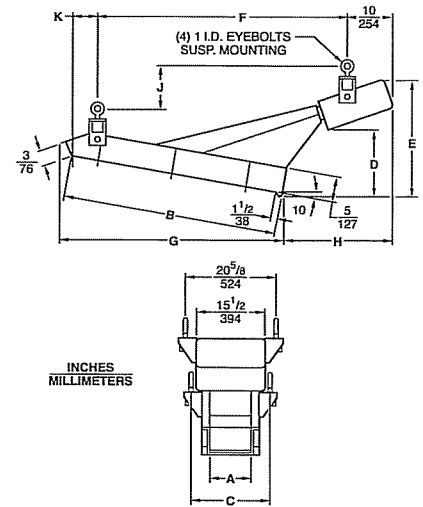
The trim, lightweight Model 58B, either base mounted or suspended (please specify), can easily handle up to 80 tons (72 mt) per hour of any bulk free-flowing material weighing 100 lb/ft³ (1.6 g/cu cm). Simple variable transformer type controls give 100% range of capacity, with linearity. Capacity is based on 14 x 36 inch (356 x 914 mm) tray properly installed with skirtboards.

Power Supply	115V, 230V, 460V, or 575V 50-60 Cycles, Single Phase
Full Load Power Input	7 Amp at 115V
Shipping Weight	410 lb. (186 kg)

SPECIFICATIONS

58B OVERHEAD-DRIVE STANDARD TRAYS

SIZE		A	B	C	D	E	F	G	H	J	K
8 x 54	in	8	54	15-3/8	14-7/8	24-1/8	54-5/8	55-1/8	23	8	13-3/4
	mm	203	1372	391	379	613	1388	1402	585	203	350
10 x 48	in	10	48	17-5/8	14-5/8	26-3/8	55-5/8	49-3/8	25	9	6-1/2
	mm	254	1219	441	371	670	1413	1253	634	229	165
12 x 42	in	12	42	19-3/8	10-3/8	21-3/8	39-7/8	43-3/8	19-7/8	7	13-3/8
	mm	305	1067	492	263	543	1014	1103	505	178	341
14 x 36	in	14	36	21-3/8	9	20	41-1/8	37-1/2	25	6-1/2	9-1/8
	mm	356	914	543	229	508	1044	952	635	165	232



58B UNDER-DRIVE STANDARD TRAYS

SIZE		A	B	C	D	E	F	G	H	J	
8 x 54	in	8	54	15-3/8	4-3/8	18	6-1/8	34	4-7/8	36-1/8	
	mm	203	1372	391	112	457	156	864	123	917	
10 x 48	in	10	48	17-3/8	5-1/8	17-3/4	8-1/8	34-3/4	5	37-5/16	
	mm	254	1219	441	129	450	208	883	128	948	
12 x 42	in	12	42	19-3/8	6-5/8	18-1/4	10-7/16	36-5/8	6-3/8	35-1/4	
	mm	305	1067	492	168	463	265	829	163	894	
14 x 36	in	14	36	21-3/8	5-3/4	16-3/8	13	32-7/8	5	35-1/2	
	mm	356	914	543	147	415	330	836	127	902	
16 x 30	in	16	30	23-3/8	6-3/8	15-3/4	16	28-7/8	6-1/8	31-1/8	
	mm	406	762	594	163	399	405	734	155	791	
60 x 48 80 x 42 100 x 36		CONSULT HOME OFFICE									

