



# MODEL 70B FOR FEEDING UP TO 275 TONS (247 MT) PER HOUR

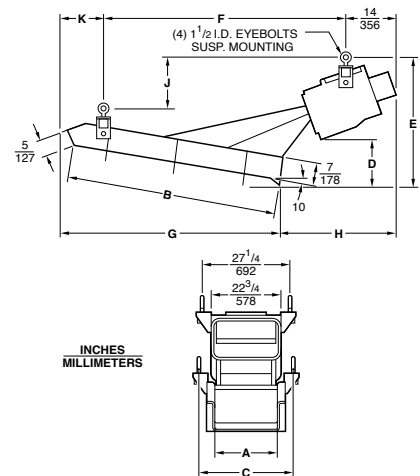
This rugged 70B will pour out up to 275 tons (247 mt) of bulk materials per hour. Use it for feeding to central belt lines, screens, pulverizers and elevators. Special trays are available for all models with screens, grizzlies, dust covers, abrasive liners, etc. Capacity is based on 24 x 42 inch (610 x 1067 mm) tray properly installed with skirtboards.

Power Supply	115V, 230V, 460V, or 575V 50–60 Cycles, Single Phase
Full Load Power Input	15 Amp at 230V
Shipping Weight	1550 lb. (703 kg)

## SPECIFICATIONS

### 70B OVERHEAD-DRIVE STANDARD TRAYS

SIZE		A	B	C	D	E	F	G	H	J	K
12 x 72	in	12	72	20-1/2	17-7/8	35-5/8	88-1/8	74-1/2	36-7/8	13-3/8	9-3/8
	mm	305	1829	521	454	905	2238	1893	936	341	238
14 x 66	in	14	66	22-1/2	15-1/2	33-1/4	79-1/8	68-5/8	33-1/2	11-5/8	9-1/8
	mm	356	1676	572	394	845	2010	1743	851	295	231
18 x 60	in	18	60	26-1/2	13	31-5/8	60-5/8	62-1/4	30-1/4	11-5/8	18-1/4
	mm	457	1524	673	330	803	1538	1581	768	296	463
24 x 42	in	24	42	32-1/2	10-7/8	29-3/8	57-1/2	44-3/4	35-7/8	12	9-3/8
	mm	610	1067	826	279	746	1461	1137	911	305	240
30 x 36	in	30	36	38-1/2	12	29-3/4	54-1/8	39-1/8	36-3/8	13	7-3/8
	mm	762	914	978	304	756	1374	993	923	330	188



### 70B UNDER-DRIVE STANDARD TRAYS

SIZE		A	B	C	D	E	F	G	H	J	
12 x 72	in	12	72	20-1/2	9-1/2	26-1/2	9-7/8	51-3/4	5-9/16	53-3/4	
	mm	305	1829	521	241	673	253	1315	141	1364	
14 x 66	in	14	66	22-1/2	12-1/8	27-3/8	20	55-7/8	8-1/8	58	
	mm	356	1676	571	307	696	509	1420	208	1475	
18 x 60	in	18	60	26-1/2	9-7/8	26-5/8	18-3/8	49-3/4	7-1/8	51-1/2	
	mm	457	1524	763	250	676	466	1264	181	1308	
24 x 42	in	24	42	32-1/2	11	24-3/4	25	38-3/8	7-1/4	40	
	mm	610	1067	826	279	629	634	975	184	1016	
30 x 36	in	30	36	38-1/2	12-1/8	22-7/8	24-3/4	37-7/8	7-1/8	39-7/8	
	mm	762	914	978	308	582	629	963	181	1013	
120 x 72 140 x 60 160 x 48		CONSULT HOME OFFICE									

