

# MODEL 62B FOR FEEDING UP TO 135 TONS (121 MT) PER HOUR

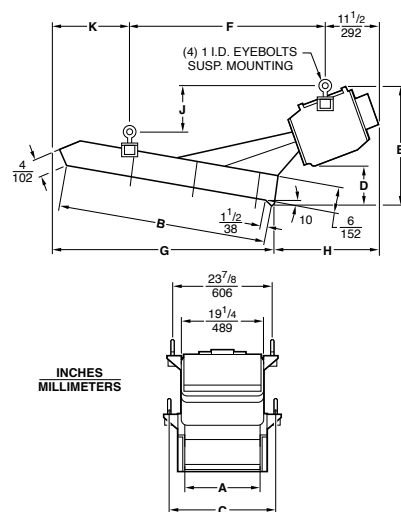
The compact 62B will conservatively feed up to 135 tons (121 mt) per hour for materials weighing 100 lb/ft<sup>3</sup> (1.6 g/cu cm). It is ideal for many medium capacity feeding applications requiring controlled feed to weigh scales, packaging and filling machines, kilns, etc. Suspended or base mounted models (please specify) can be supplied. Capacity is based on 18 x 36 inch (457 x 914 mm) tray properly installed with skirtboards.

Power Supply	115V, 230V, 460V, or 575V 50-60 Cycles, Single Phase
Full Load Power Input	8 Amp at 230V
Shipping Weight	730 lb. (331 kg)

## SPECIFICATIONS

### 62B OVERHEAD-DRIVE STANDARD TRAYS

SIZE		A	B	C	D	E	F	G	H	J	K
8 x 60	in	8	60	15-1/4	13-7/8	30-3/4	68-7/8	61-5/8	28-3/4	12-1/8	10-3/8
	mm	203	1524	387	353	781	1749	1567	730	308	264
10 x 54	in	10	54	17-1/4	10-3/4	27-5/8	58-3/8	55-1/2	21-5/8	9-7/8	7-5/8
	mm	254	1372	438	273	702	1483	1410	549	251	194
12 x 48	in	12	48	19-1/4	10	26	52	50	31	10-1/2	14-3/4
	mm	305	1219	489	254	660	1321	1269	788	267	375
14 x 42	in	14	42	21-1/4	9-3/8	26-1/4	44-3/4	44-3/4	26-1/2	11	15-3/8
	mm	356	1067	540	238	667	1136	1137	674	280	389
18 x 36	in	18	36	25-1/4	9-1/8	25-7/8	45-1/2	37-7/8	28-1/4	10-1/2	6-5/8
	mm	457	914	641	233	657	1156	962	718	265	168



### 62B UNDER-DRIVE STANDARD TRAYS

SIZE		A	B	C	D	E	F	G	H	J	
8 x 60	in	8	60	23-3/4	7-5/8	23-3/8	12-1/4	41-5/8	6-1/2	43-3/8	
	mm	203	1524	603	193	594	311	1056	164	1103	
10 x 54	in	10	54	23-7/8	8-7/8	23-1/3	15	44	6-3/4	45-7/8	
	mm	254	1372	606	225	598	380	1117	170	1164	
12 x 48	in	12	48	23-3/4	8-3/8	22-1/8	14	35-1/2	6-1/4	36-3/8	
	mm	305	1219	603	214	562	358	903	159	925	
14 x 42	in	14	42	23-3/4	8	20-5/8	16-7/8	35-3/4	5-5/8	37-1/4	
	mm	356	1067	603	204	525	429	908	143	946	
18 x 36	in	18	36	25-1/4	8-5/8	20-1/4	19-1/4	34-5/8	5-3/4	36-1/2	
	mm	457	914	614	220	514	489	880	146	927	
80 x 60 100 x 48 120 x 36		CONSULT HOME OFFICE									

