

# MODEL 105B FOR FEEDING UP TO 700 TONS (630 MT) PER HOUR

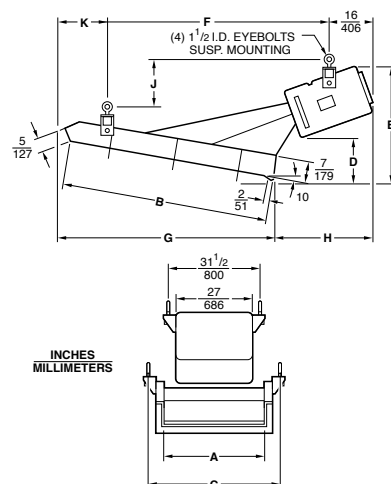
The 105B has a rated capacity up to 700 tons (630 mt) per hour. Rugged construction and the Eriez patented magnetic drive make this an ideal unit for handling abrasives, slag, coal, ores, grains, or wherever controlled feeding of large tonnages is required. Capacity is based on 42 x 60 inch (1067 x 1524 mm) tray properly installed with skirtboards.

Power Supply	230V, 460V, or 575V 50–60 Cycles, Single Phase
Full Load Power Input	35 Amp at 230V
Shipping Weight	2800 lb. (1270 kg)

## SPECIFICATIONS

### 105B OVERHEAD-DRIVE STANDARD TRAYS

SIZE		A	B	C	D	E	F	G	H	J	K
24 x 96	in	24	96	33-1/2	20-3/8	43	101-1/2	98	36	17-7/8	17-3/16
	mm	610	2438	851	518	1092	2579	2489	914	453	437
30 x 84	in	30	84	39-1/2	18-1/8	40-5/8	89-1/2	86-1/8	35-7/8	16-7/8	17-1/4
	mm	761	2134	1003	459	1032	2274	2189	911	428	438
36 x 72	in	36	72	45-1/2	14-7/8	37-1/2	76-3/4	74-3/8	35-1/8	15-3/4	17-1/2
	mm	914	1829	1156	376	953	1951	1889	894	399	445
42 x 60	in	42	60	51-1/2	14-7/8	36-3/4	73	62-9/16	41-1/8	17	15-1/2
	mm	1067	1524	1308	379	933	1853	1589	1045	433	394
48 x 54	in	48	54	57-1/4	14-1/2	35-7/8	73	56-5/8	43-5/8	16-5/8	12
	mm	1219	1372	1453	369	911	1853	1439	1107	421	305



### 105B UNDER-DRIVE STANDARD TRAYS

SIZE		A	B	C	D	E	F	G	H	J
24 x 96	in	24	96	33-1/2	10	32-7/8	9	69-1/4	6-7/8	70-1/4
	mm	610	2438	851	253	834	229	1758	176	1784
30 x 84	in	30	84	39-1/2	10-7/8	31-3/4	13-1/8	60-5/8	8-1/4	61-3/8
	mm	762	2133	1003	276	806	335	1540	209	1559
36 x 72	in	36	72	45-1/2	14-3/4	31-1/8	23-1/2	61-1/8	9-3/8	62-1/4
	mm	914	1829	1158	373	792	597	1553	238	1581
42 x 60	in	42	60	51	13-3/8	24-1/4	25-7/8	57-1/8	10-1/2	58-7/8
	mm	1067	1524	1295	340	615	658	1450	268	1495
48 x 54	in	48	54	57	13-1/8	28-3/4	27	48-1/4	12-1/8	50
	mm	1219	1372	1448	334	731	686	1227	309	1270

